



OREGON

ASSEMBLY INSTRUCTIONS

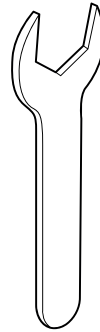
**THESE INSTRUCTIONS
APPLY TO OUR
OREGON MODEL.**

PLEASE NOTE: If one person is assembling the bed base, please begin at Step 1. If two people are assembling, please begin at Step 4.

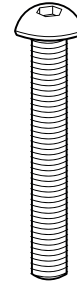
FITTINGS FOR OREGON ASSEMBLY:



1x ALLEN KEY



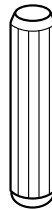
1x SPANNER



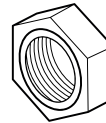
3x HEADBOARD
BOLTS



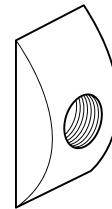
4x BOLTS



8x WOODEN
DOWELS

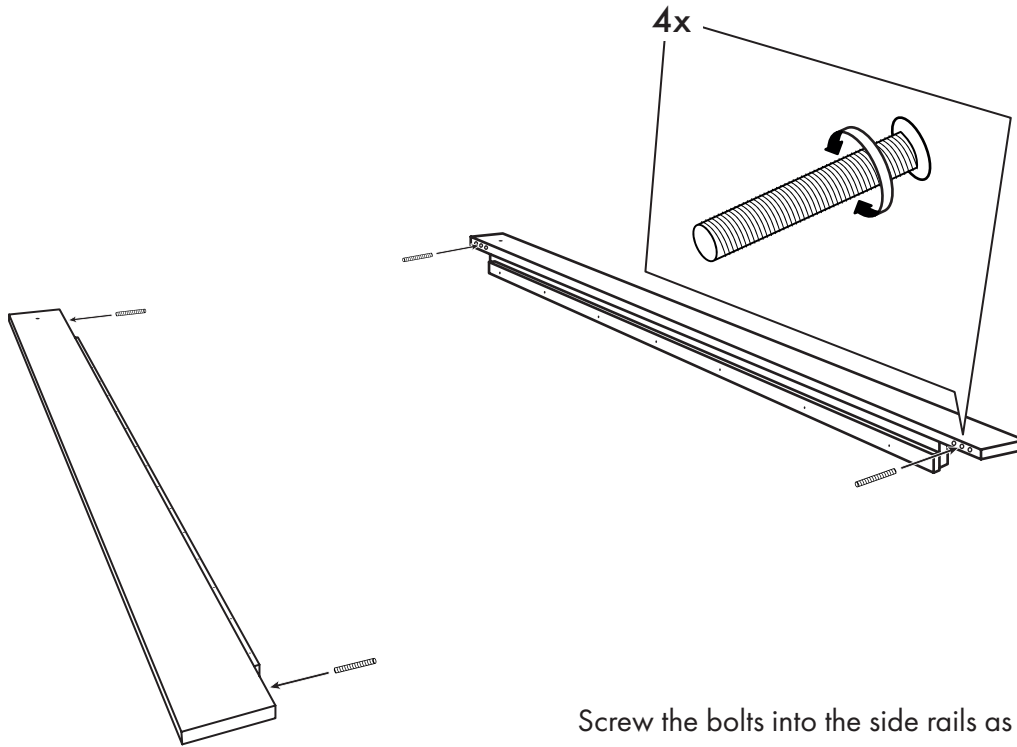


4x NUTS



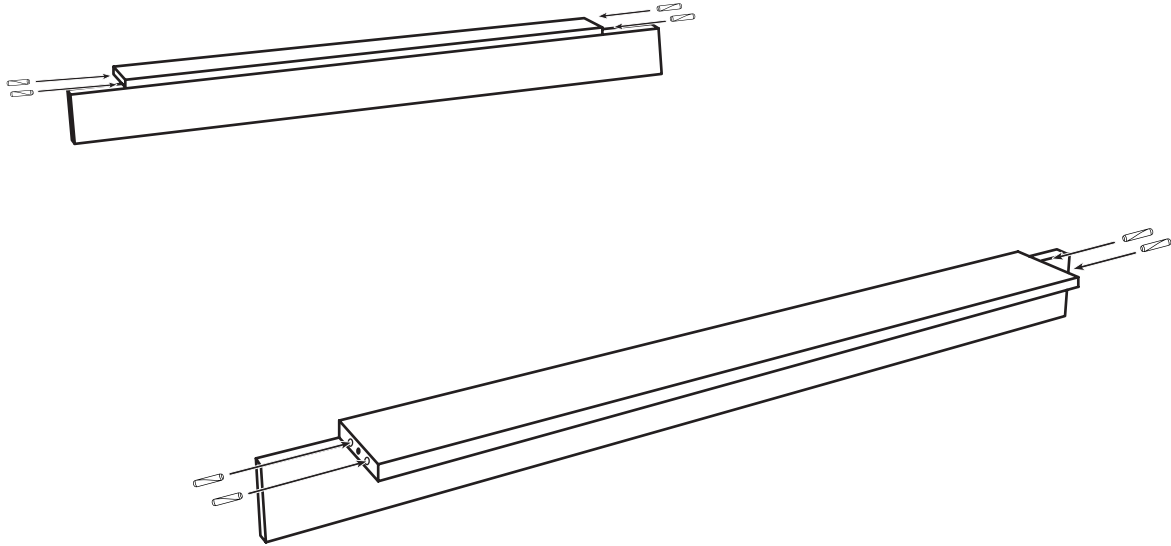
4x HALF-MOON
WASHERS

1.



Screw the bolts into the side rails as illustrated.

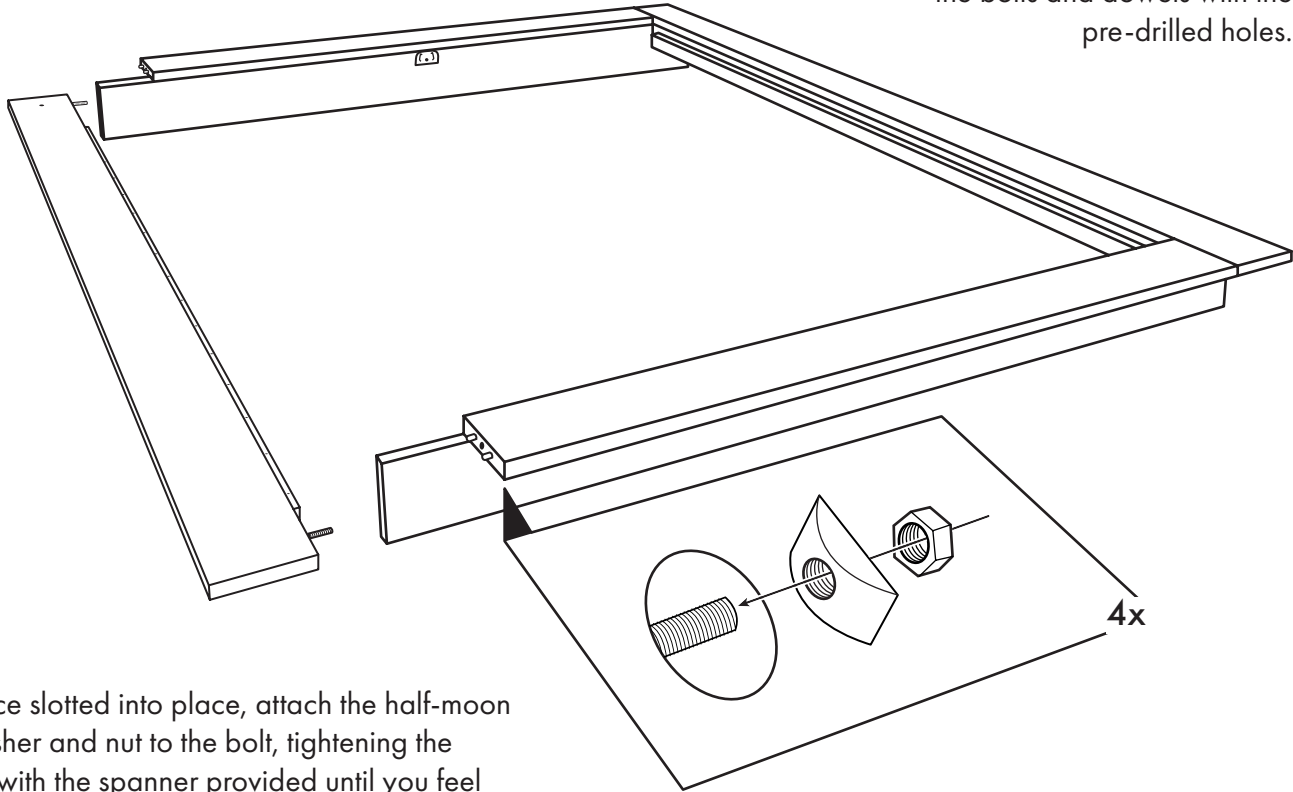
2.



Slot the wooden dowels into the holes as illustrated (tap with a rubber mallet if required).

3.

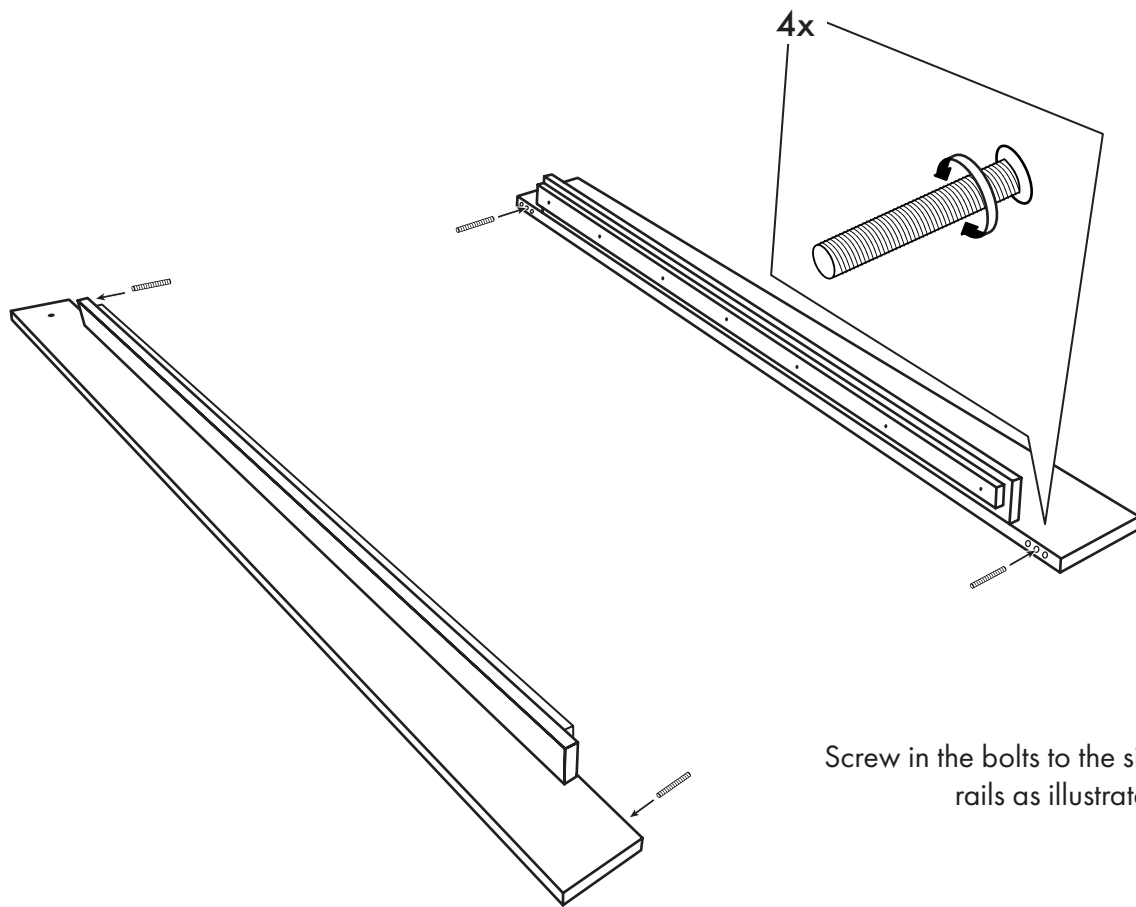
Slide the side rails onto the top and bottom rails, lining up the bolts and dowels with the pre-drilled holes.



Once slotted into place, attach the half-moon washer and nut to the bolt, tightening the nut with the spanner provided until you feel resistance. Do not over-tighten.

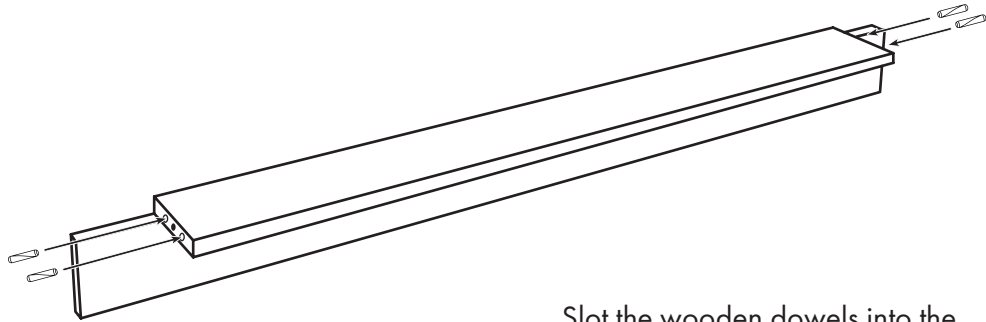
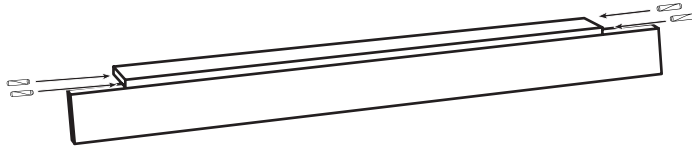
PLEASE SKIP TO STEP 8.

4.



Screw in the bolts to the side rails as illustrated.

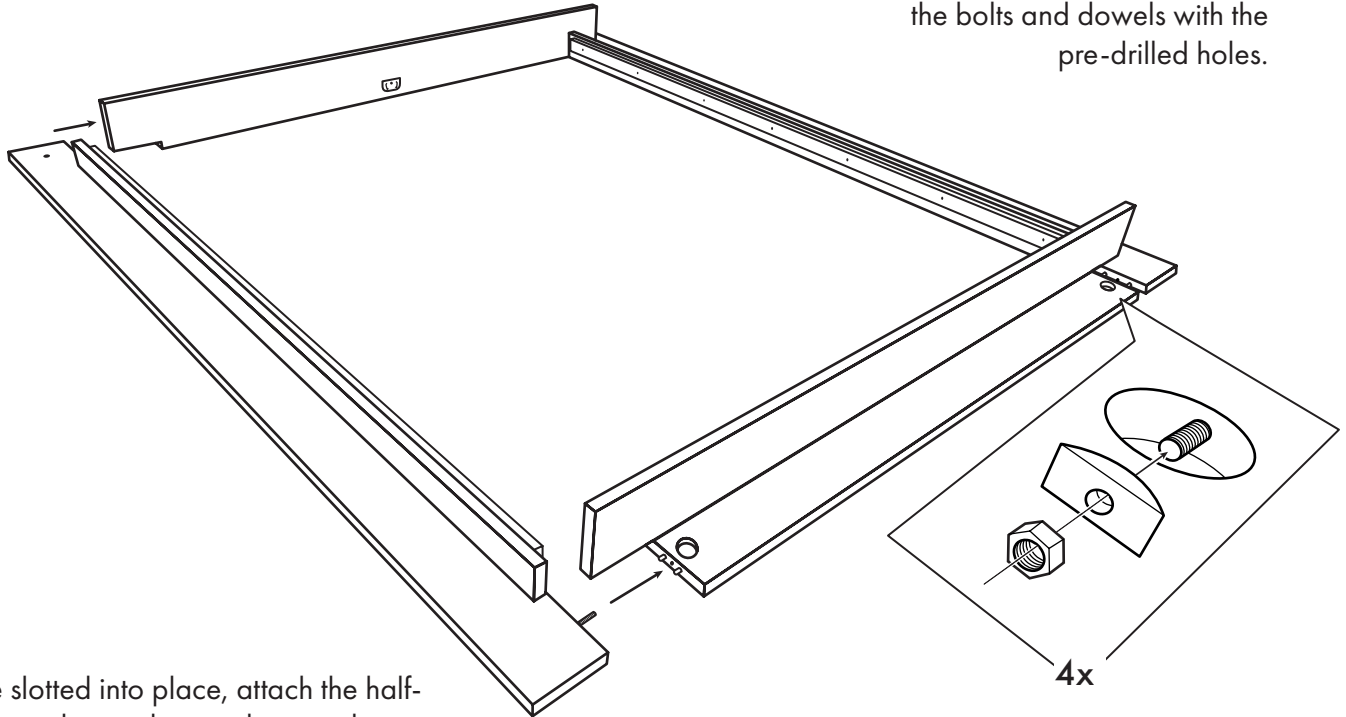
5.



Slot the wooden dowels into the holes as illustrated (tap with a rubber mallet if required).

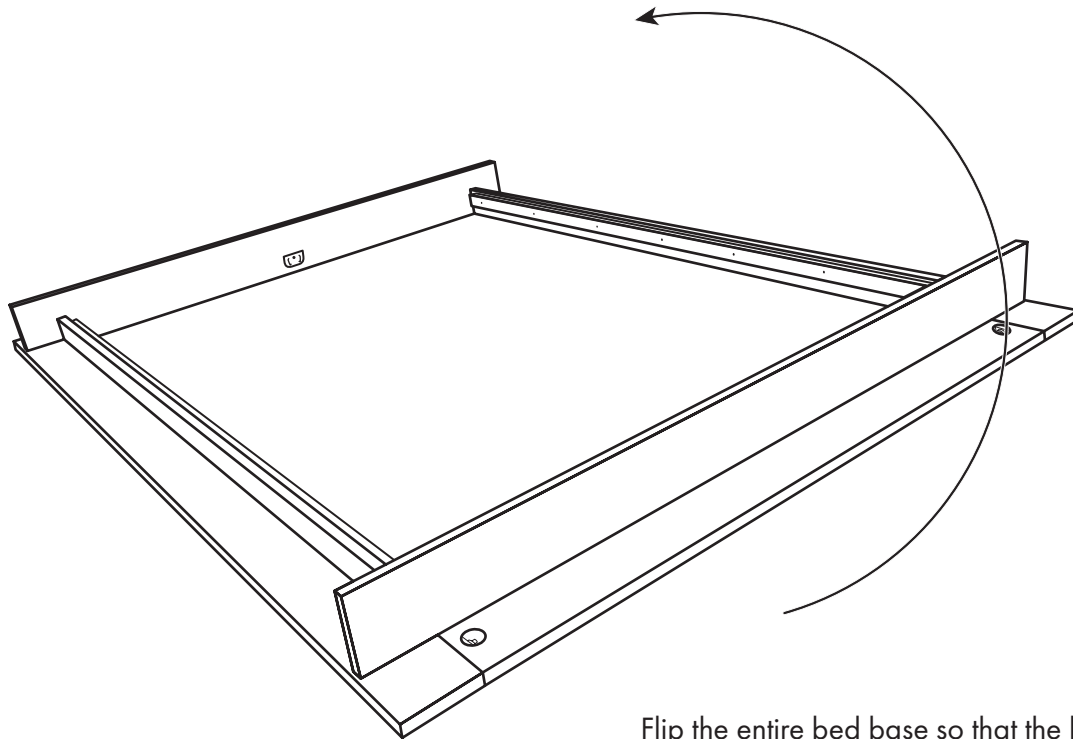
6.

Slide the side rails onto the top and bottom rails, lining up the bolts and dowels with the pre-drilled holes.



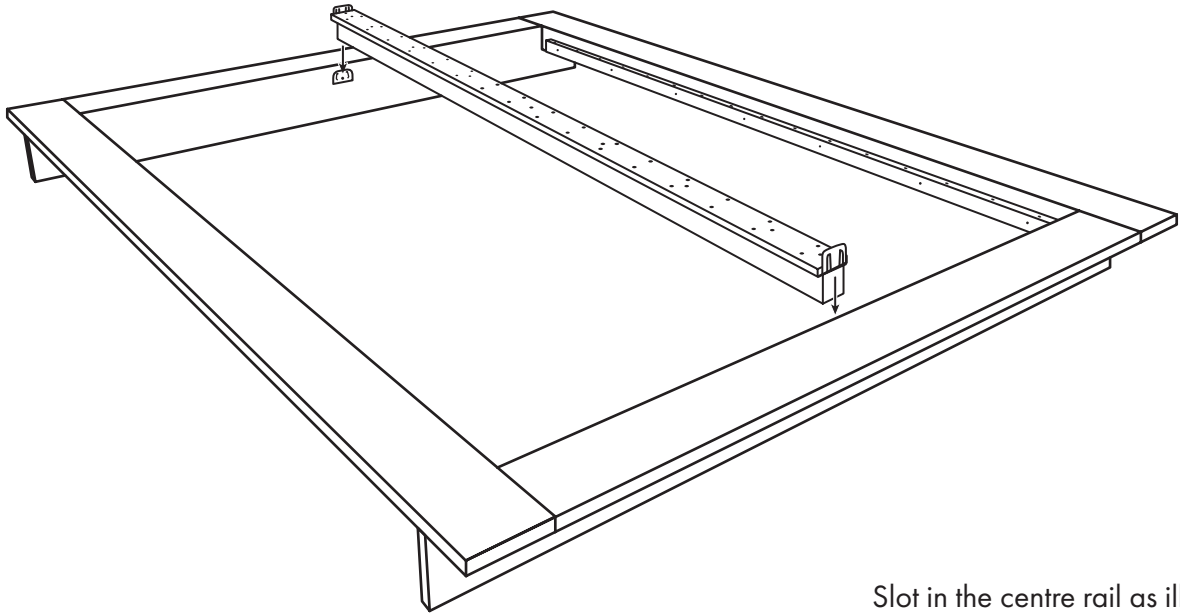
Once slotted into place, attach the half-moon washer and nut, tightening the nut with the spanner provided until you feel resistance. Do not over-tighten.

7.



Flip the entire bed base so that the legs are sat on the floor and the platform is facing upwards.

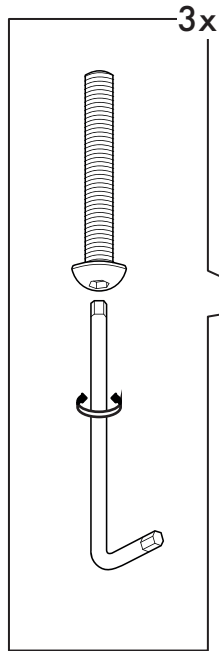
8.



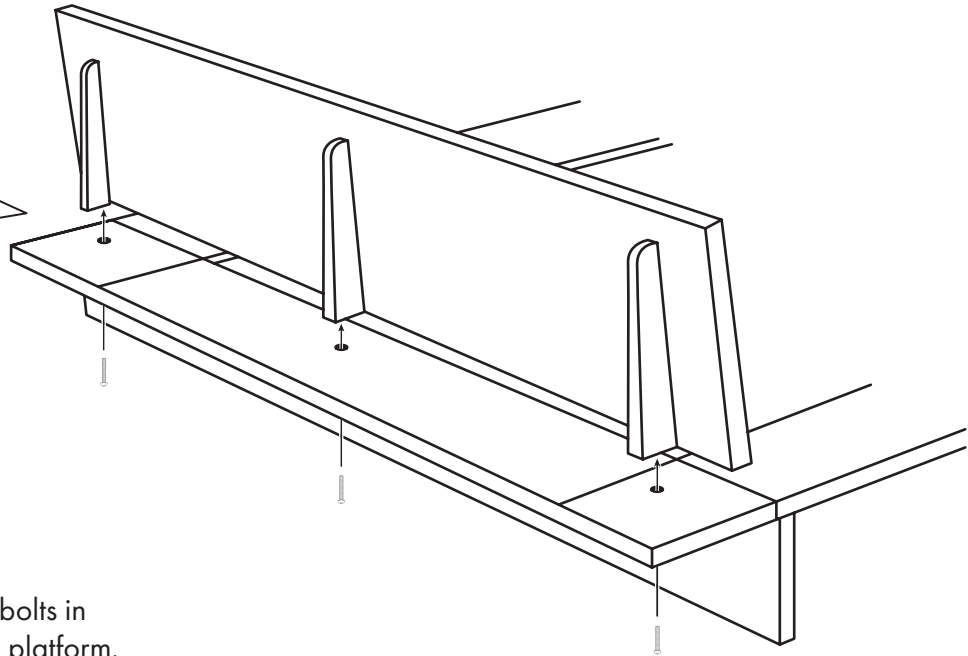
Slot in the centre rail as illustrated.

Please note, single beds do not include centre rails.

9.

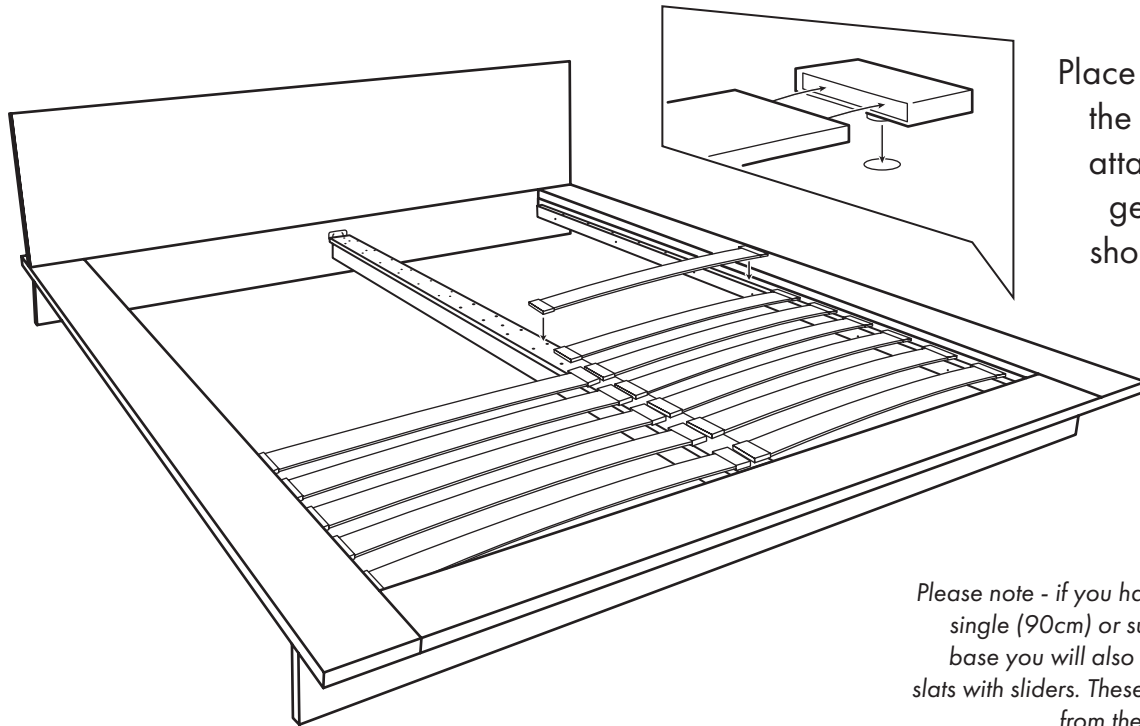


Line up the headboard with
the pre-drilled holes to the
head-end of the bed.



Slot the headboard bolts in
from underneath the platform,
then tighten using the allen key.

10.



Place the end caps on the sprung slats and attach (centre of the gently curved slats should be upwards)

Please note - if you have ordered a standard single (90cm) or super-king (180cm) bed base you will also receive a set of double slats with sliders. These slats are for holes 4-9 from the head of the bed base.

**THANK YOU FOR PURCHASING FROM
NATURAL BED COMPANY -
WE HOPE YOU LOVE YOUR NEW BED!**

If you have any questions, please feel free to contact us at sales@naturalbedcompany.co.uk or give us a call on 0114 272 1984





NATURAL BED COMPANY

DEVONSHIRE POINT, 123-125 FITZWILLIAM STREET
SHEFFIELD, S1 4JP

T: 0114 272 1984

E: sales@naturalbedcompany.co.uk

W: www.naturalbedcompany.co.uk