

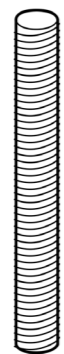
NEVADA COLLECTION

ASSEMBLY INSTRUCTIONS

THESE ASSEMBLY INSTRUCTIONS APPLY TO THE FOLLOWING MODELS:

- Nevada
- Sonora
- Sahara
- Malabar
- Tibet
- Ki
- Sol
- Tao
- Iona
- Arran
- Skye
- Shetland
- Samarkand
- Mandalay
- Zanskar
- Cochin
- Camden
- Java
- Ocean

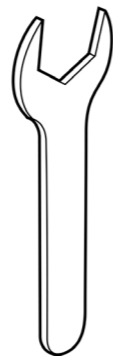
FITTINGS FOR THE NEVADA COLLECTION



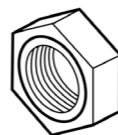
4 X
BOLTS



8 X
DOWELS



1 X
SPANNER

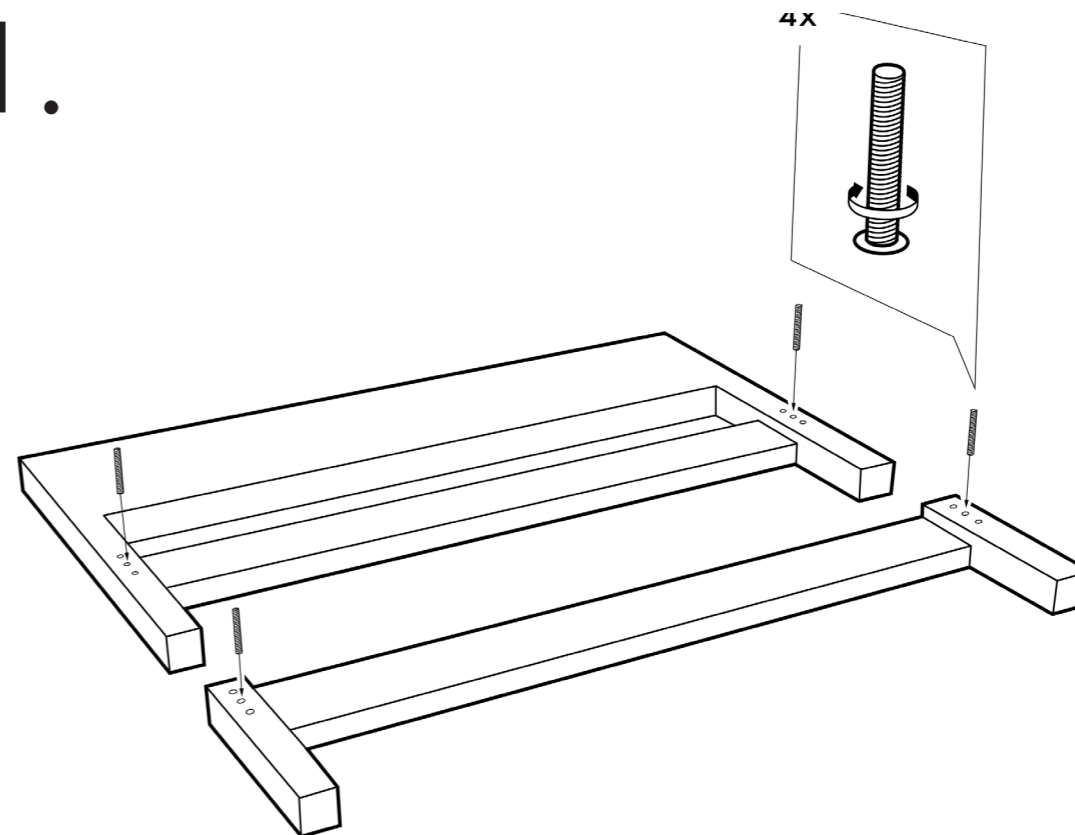


4 X
NUTS



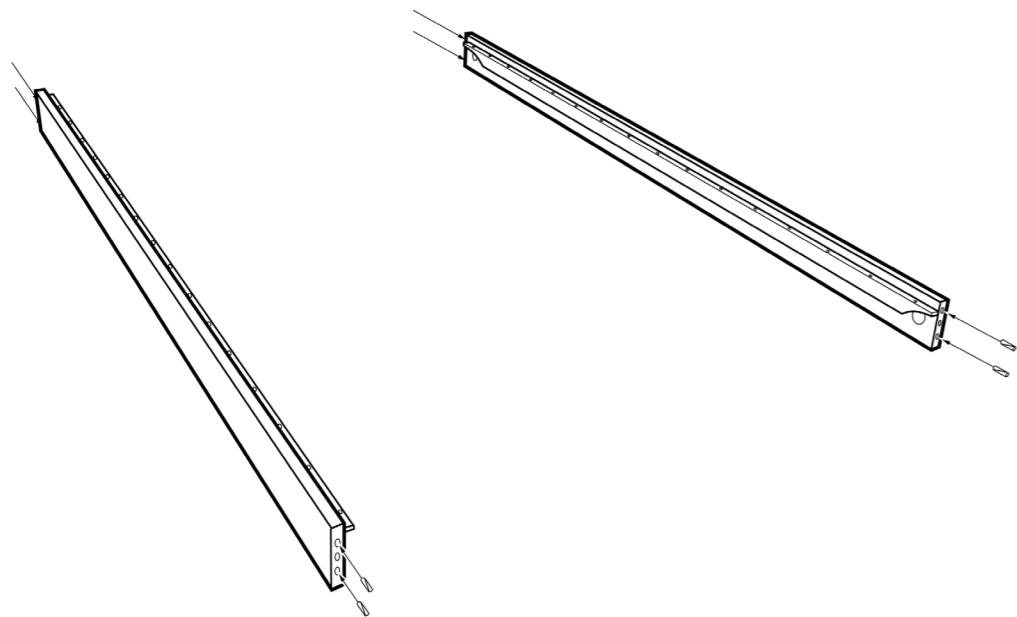
4 X
HALF
MOON
WASHERS

1.



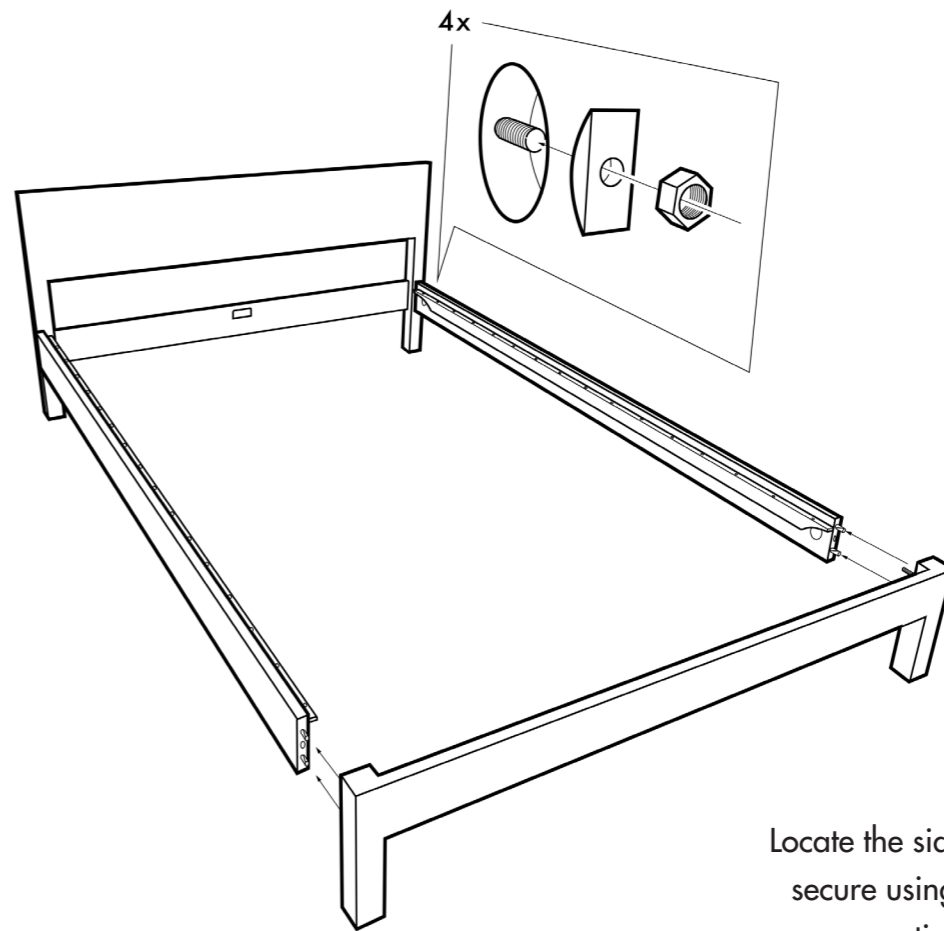
Screw in the bolts as illustrated.

2.



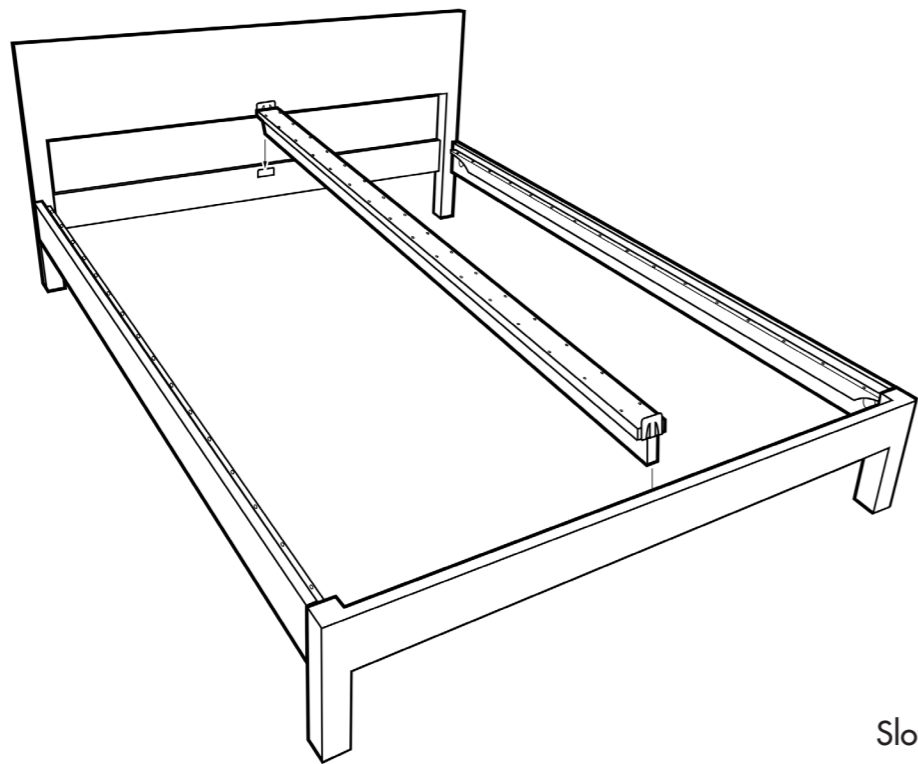
Slot in the 8 dowels to the side rails as illustrated. (Tap in with a rubber mallet if required).

3.



Locate the side rails on the bolts and secure using the washers and nuts, tighten using the spanner.

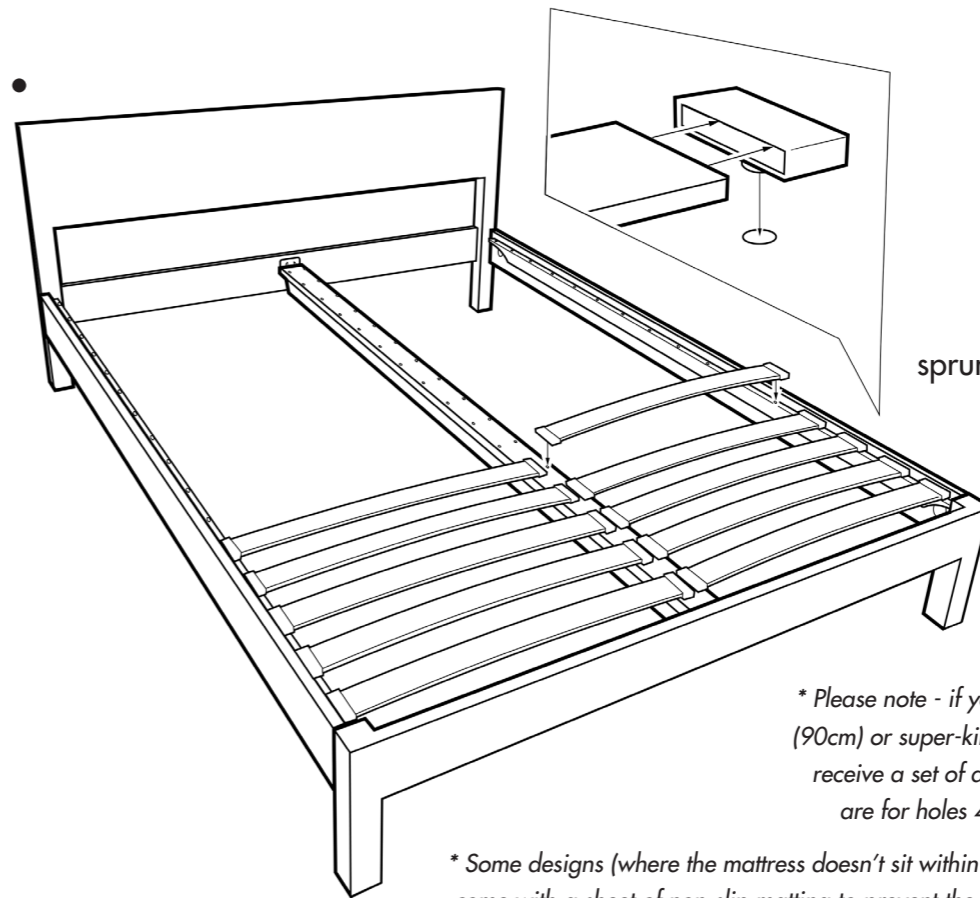
4.



Slot in the centre rail.

** Please note single bed bases (75cm & 90cm) will not include a centre rail.*

5.



Place the end caps on the sprung slats and attach (centre of the gently curved slats should be upwards).

** Please note - if you have ordered a standard single (90cm) or super-king (180cm) bed base you will also receive a set of double slats with sliders. These slats are for holes 4-9 from the head of the bed base.*

** Some designs (where the mattress doesn't sit within the frame, but sits on top of it) will come with a sheet of non-slip matting to prevent the mattress from moving on the base.*

THANK YOU FOR BUYING A BED FROM



**NATURAL BED
COMPANY**

DEVONSHIRE POINT, 123-125 FITZWILLIAM STREET, SHEFFIELD, S1 4JP

T: 0114 272 1984

E: SALES@NATURALBEDCOMPANY.CO.UK

W: WWW.NATURALBEDCOMPANY.CO.UK